

MOCC Small Boat Operating Systems: "Inspections and Use Log"

BOAT LOG									
DATE	HULL / BILGE'S <i>(Scuppers & Pumps)</i>	REQUIRED EQUIPMENT <i>(Gear & Electronics)</i>	FUEL LEVEL <i>(Amount Added)</i>	ENG. OIL LEVEL	ENGINE HOURS	ELECTRICAL COMPONENTS	COOLING SYSTEM	STEERING & PROPULSION	ZIRC'S ZINC'S
START									
FINISH									
CREW / MISSION / LOCATION:									
COMMENTS / NOTES: <i>(Include all Observations / Symptoms / Maintenance & Repairs)</i>									

BOAT LOG									
DATE	HULL / BILGE'S <i>(Scuppers & Pumps)</i>	REQUIRED EQUIPMENT <i>(Gear & Electronics)</i>	FUEL LEVEL <i>(Amount Added)</i>	ENG. OIL LEVEL	ENGINE HOURS	ELECTRICAL COMPONENTS	COOLING SYSTEM	STEERING & PROPULSION	ZIRC'S ZINC'S
START									
FINISH									
CREW / MISSION / LOCATION:									
COMMENTS / NOTES: <i>(Include all Observations / Symptoms / Maintenance & Repairs)</i>									

MOCC Field Exercise: Pre-Departure Safety Checks

Year / Make / Model:

Length:

Capacity:

Hull Design:

Hull Material:

Propulsion:

Small Boat Required Equipment Checks

Small Boat Operational Safety Checks

Copy of Registration & Display of Numbers:

Battery Connections & Power:

Location, Number and Type of Life Jackets:

Engine Blower & Fuel System Ventilation:

Location and Type of Throwable Rescue Devices:

Engine Oil / Fuel Levels / Water Separator Filter:

Location & Number & Type of Serviceable Fire Extinguishers:

Electrical Fuses & Gauges:

Location of Sound Producing Device:

Electronics Systems:

Location, Amount and Type of Visual Distress Signals:

Engine Trim / Tilt:

Navigation Lights Operational:

Steering & Throttle Linkages:

Location and Status of First Aid Kit:

Bilge Pump & Bailing Devices:

Type / Condition of Anchor & Line:

Hull / Scuppers / Thru-Hull Fittings / Boat Plugs:

Type & Quantity of Mooring /Utility Lines:

Hatches & Doors:

Deck Equipment: Boat Hook / Paddles / Fenders

Cleats / Rails / Deck Fittings:

Navigational Equipment: Compass / GPS / Maps & Charts

Winches / Davits / Other:

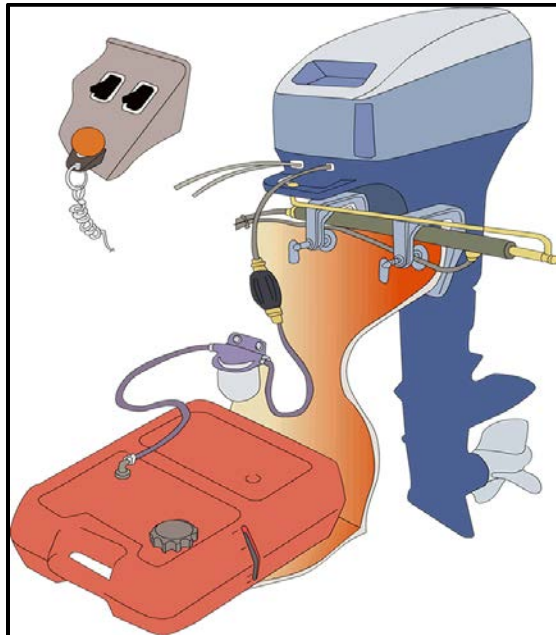
Spare Parts & Tool Kit:

MOCC Small Boat Operating Systems – “Maintenance & Troubleshooting”

FUEL SYSTEMS

! Fuel Odor- STOP- Ventilate & Locate Leaks
Symptom: “Engine turns but Won’t Start”

- **Outboard FUEL Issues:**
 - Trace fuel line check for air leaks & connections
 - Inspect Fuel Bulb (primed?)
 - Fuel Tank Vent (open?)
 - Fuel Filter – Water Separator
 - Spark Plugs Fouled?
- **Inboard FUEL Issues:**
 - Vapor Lock – Open Hatch to Cool Engine & Run the Blower
 - Fuel Valve (open position?)
- **Bad Fuel- Change Fuel & Use a Stabilizer**



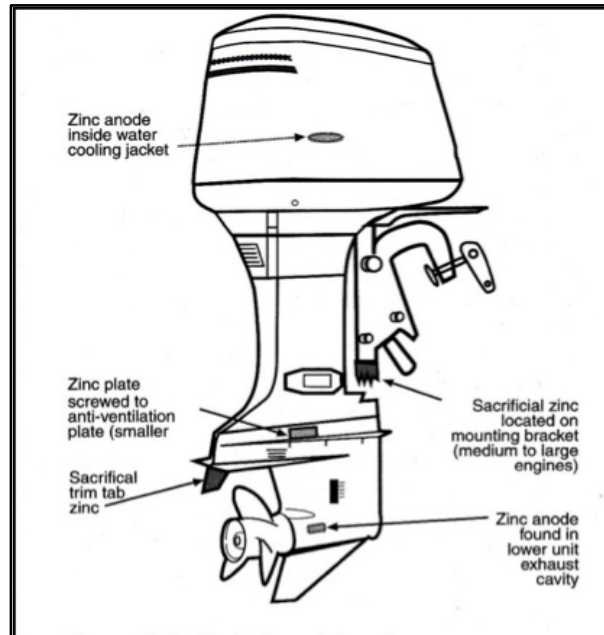
ELECTRICAL SYSTEMS

Symptom: “Engine will not turn-over or run”

- **Inboards & Outboards (In NEUTRAL?)**
 - Check battery master switch
 - Check Kill Switch
 - Check Battery Connections
 - Check Fuse Panel / Box
 - Check Starter/Coil Fuse Link
 - Check Spark Plug Wire

PUMPS, MECHANICAL & HYDRAULICS

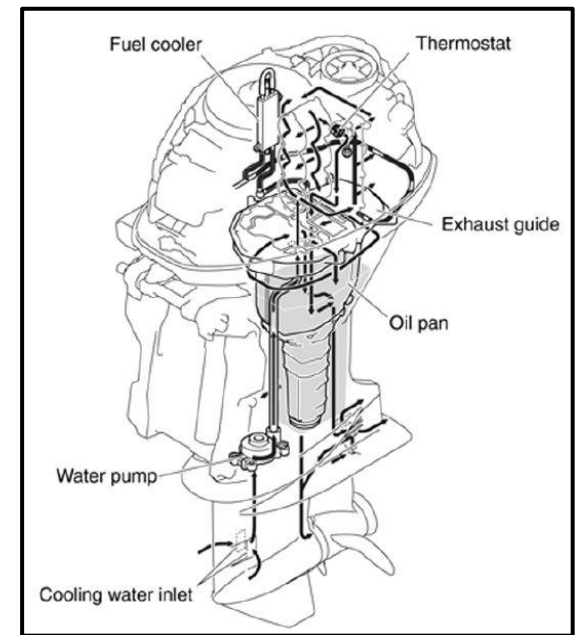
- **Bilge Pump-** Intake & Hose clear of debris
- **Steering-** Fittings Greased / Reservoir Full
- **Zinc Anodes-** Inspect for corrosion
- **Hoses Fittings-** Inspect for wear & leaks
- **Throttle-** Inspect linkage connections



ENGINE COOLING SYSTEMS

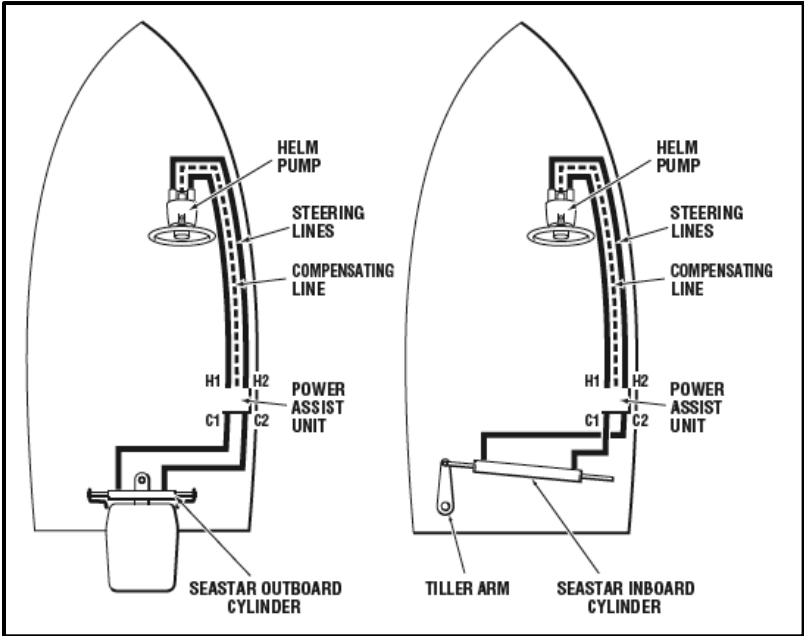
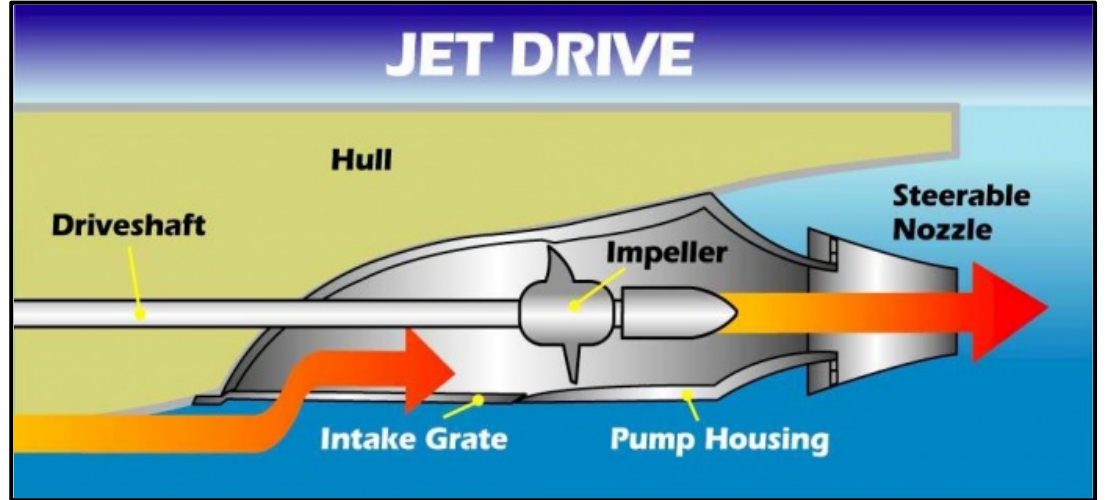
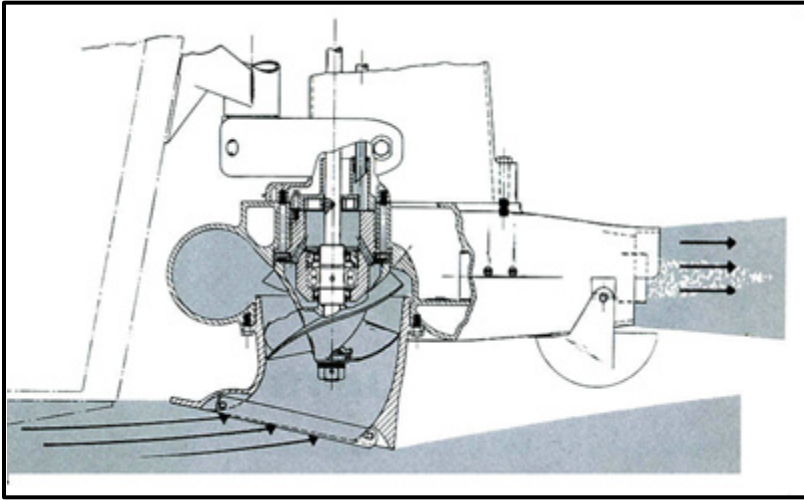
! NEVER Start without WATER Flow
Symptom: Engine Stalls or Only Idle Speed

- **Outboard Cooling Issues:**
 - Check Discharge Stream
 - Check Lower Unit Intakes
 - Clean both as needed
 - Change Impeller
- **Inboard Cooling Issues**
 - Check Exhaust Water Discharge
 - Check Heat Exchanger & Jacket Water / Anti-freeze
 - Check Raw Water Intake Valve
 - Raw Water Strainer- Filter
 - Thermostat & Temp Gauge

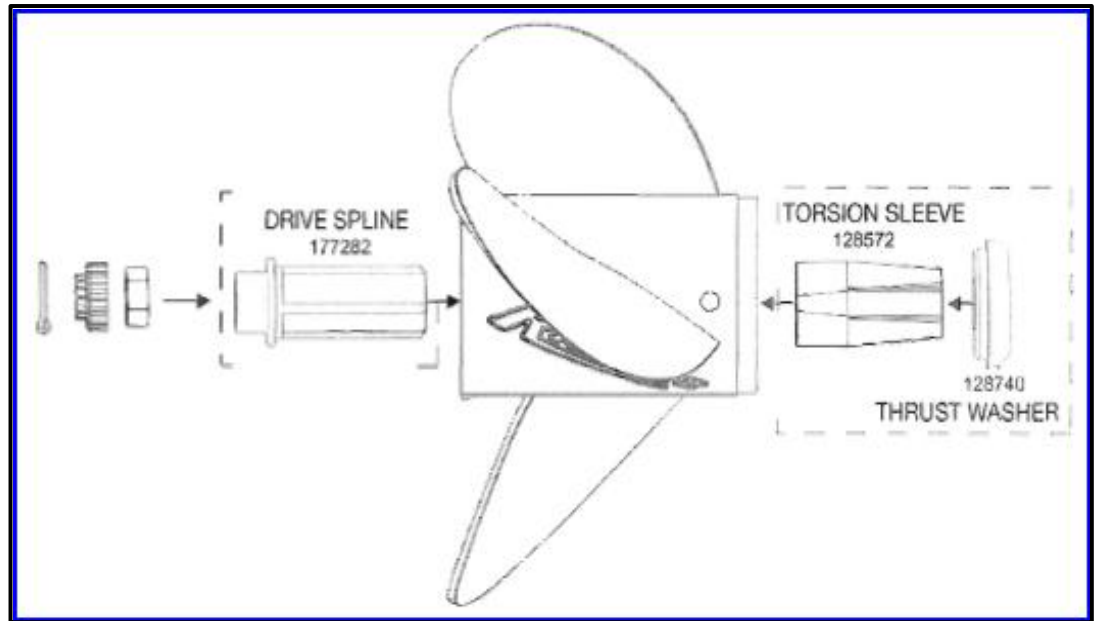


MOCC System Parts: "Maintenance & Trouble Shooting"

EXAMPLE JET DRIVE CONFIGURATIONS



COMMON HYDRAULIC STEERING SYSTEMS



TYPICAL PROPELLER CONFIGURATION